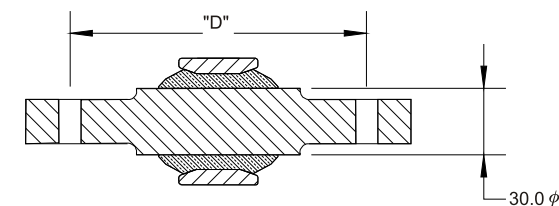


TYPE 1 Mountings

- Dead Length 195mm
- Damping forces up to 30kN @ 0.2m/S

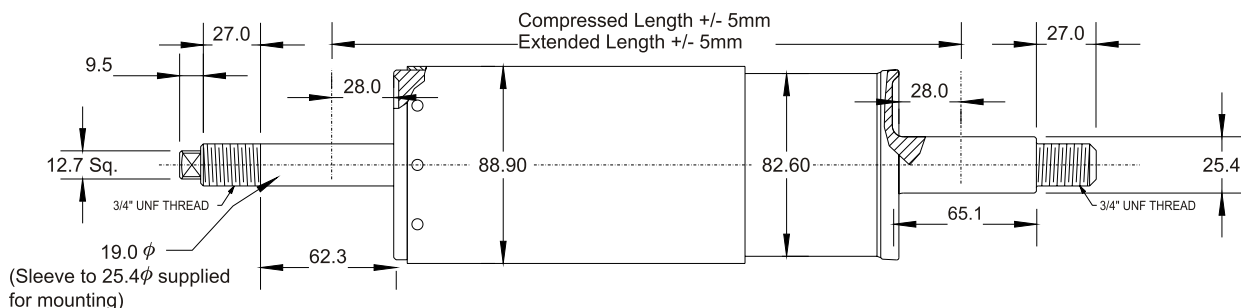
Standard Mounting arrangement: 2 piece rubber bushes supplied with damper

Alternative Mountings, one piece rubber bush with steel sleeve or trunnion



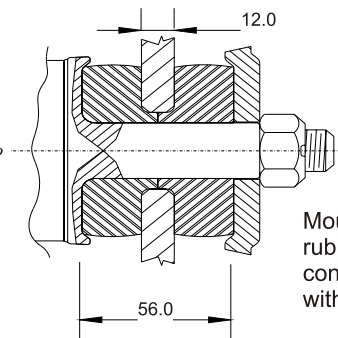
FOR ALL DAMPERS:

Minimum Compressed Length (CL) - Dead Length (DL) = Travel (T)
 Extended Length (EL) = CL + T



TYPE 2 Mountings

- Dead Length 180mm
- Damping forces up to 30kN @ 0.2m/S



SIGRA
 ROLLINGSTOCK COMPONENTS

SIGRA TECHNOLOGY AUSTRALIA PTY LTD ABN 99 050 056 552

32 Jack Williams Dr. Penrith NSW 2750 PO Box 816 Kingswood 2747

PH: +61 2 4732 1433 FAX: +61 2 4731 4141

EMAIL: info@sigrail.com WEBSITE: www.sigrail.com